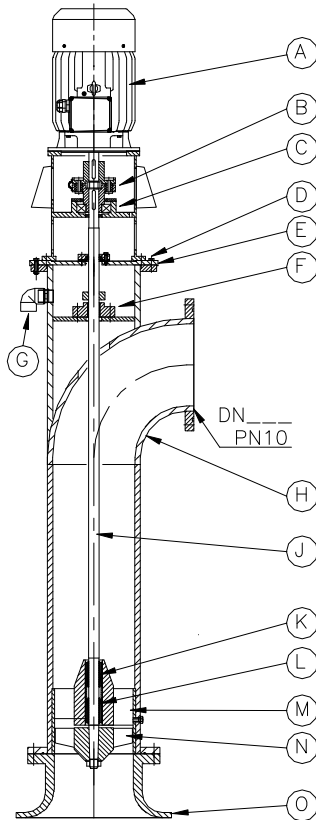


LMPump SALT
Vertical Standard

AQUACULTURE - SEA WATER PRODUCTION



www.lmpumps.com

LMPump SALT COMPONENTS		STANDARD Land based Sea Water Production
A	Motor, IE2 Standard Norm	Steel Epoxy coated
B	LM Flex Coupling	Steel/ cast iron Epoxy coated
C	Ball Bearing	Steel Life time lubricated
D	Bolt Parts	Stainless Steel
E	Support plate	Stainless Steel AISI 316
F	Labyrinth Sealing	HDPE
G	Drain	HDPE
H	Pump Body DN___ PN10	HDPE
J	Shaft	Stainless Steel Duplex
K	Shaft Bearing	Rubber or carbide bearings Water lubricated
L	Bush for bearing	Stainless Steel Duplex
M	Pump House	HDPE
N	Propeller	Stainless Steel Duplex
O	Suction Bell	HDPE

HDPE High Density Polyethylene
Epoxy Coating: Corrosion category C4 – High
Colour code: Ral 9011 (Colour Gloss 80)
Water lubricated bearings: Always add water before starting up pump
Maintenance: After 25.000 hours we recommend exchange of bearing (C)
Max construction length: 2.50 meters
Available sizes Ø300 mm and Ø400 mm
Ø300 pumps: Volume 400-900 m³/h and head max. 5.0 mWc
Ø400 pumps: Volume 900-1800 m³/h and head max. 6.0 mWc
Very suitable for: Salinity >20‰ with water temperature >17°C, or other aggressive environments and conditions